

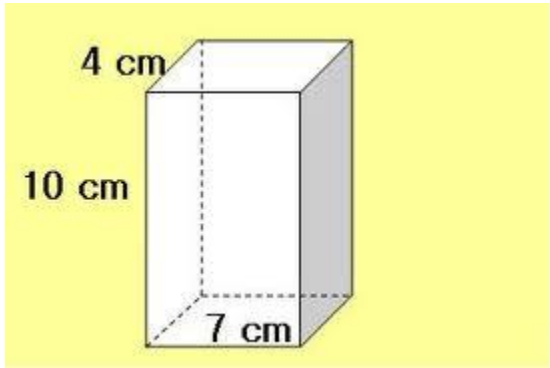
Name \_\_\_\_\_

Date \_\_\_\_\_

Geometry Webquest

Test

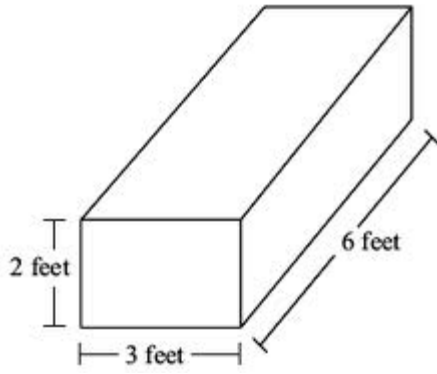
## Rectangular Prism



Volume: \_\_\_\_\_

Surface Area: \_\_\_\_\_

SHOW ALL WORK FOR CREDIT!!! That includes the formula, plug-ins, and answer.  
Remember labels.

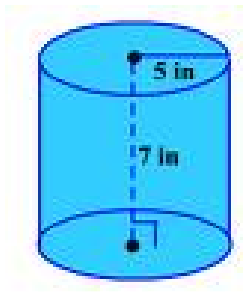


Volume: \_\_\_\_\_

Surface Area: \_\_\_\_\_

**SHOW ALL WORK FOR CREDIT!!!** That includes the formula, plug-ins, and answer.  
Remember labels.

# Cylinder



Diameter: \_\_\_\_\_

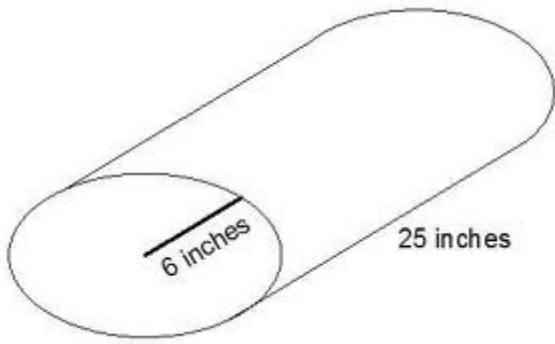
Radius: \_\_\_\_\_

Circumference: \_\_\_\_\_

Area: \_\_\_\_\_

Volume: \_\_\_\_\_

SHOW ALL WORK FOR CREDIT!!! That includes the formula, plug-ins, and answer.  
Remember labels.



Diameter: \_\_\_\_\_

Radius: \_\_\_\_\_

Circumference: \_\_\_\_\_

Area: \_\_\_\_\_

Volume: \_\_\_\_\_

**SHOW ALL WORK FOR CREDIT!!!** That includes the formula, plug-ins, and answer.  
Remember labels.

# Formulas

## Rectangular Prism

Volume: Volume = length times width times height or  $V = l \times w \times h$

Surface Area: Find the area of each face and add them together. ( $A = l \times w$  or  $A = l \times w$ )

## Cylinder

Diameter:  $2r$

Radius:  $d/2$

Circumference:  $\pi$  times  $d$

Area:  $\pi$  times radius squared

Volume:  $\pi$  times radius squared times height